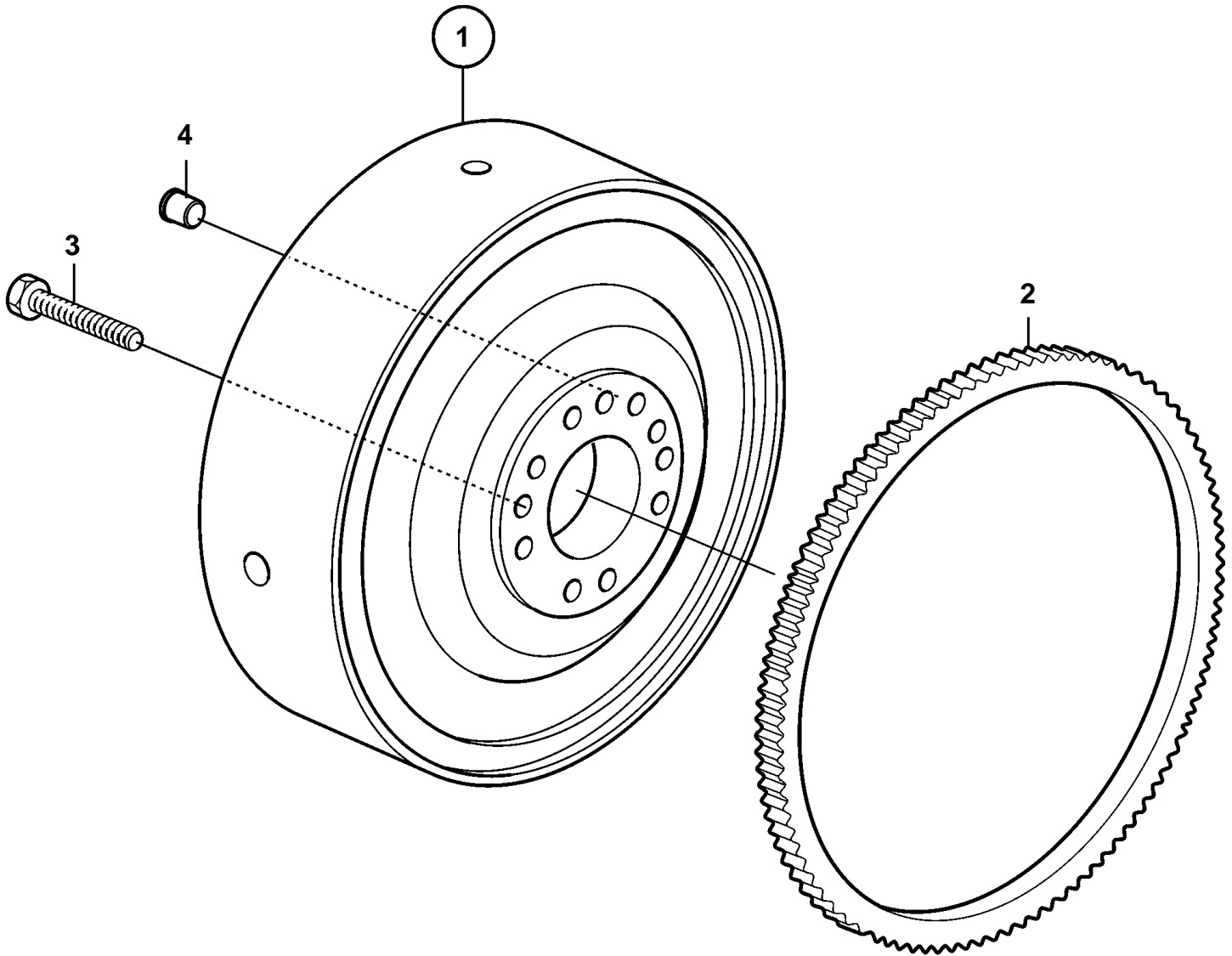


D5A-A T, D5A-A TA, D7A-A T, D7A-A TA



19544

D5A-A T, D5A-A TA, D7A-A T, D7A-A TA

REF	PART NO.	QTY	DESCRIPTION	NOTES
1	20405649	1	Flywheel	J=1.2 kgm².. For flywheel housing SAE 2.
2	20405650	1	• Gear ring	
3	20405654	10	Screw	L=45mm
4	20405643	5	Plug	